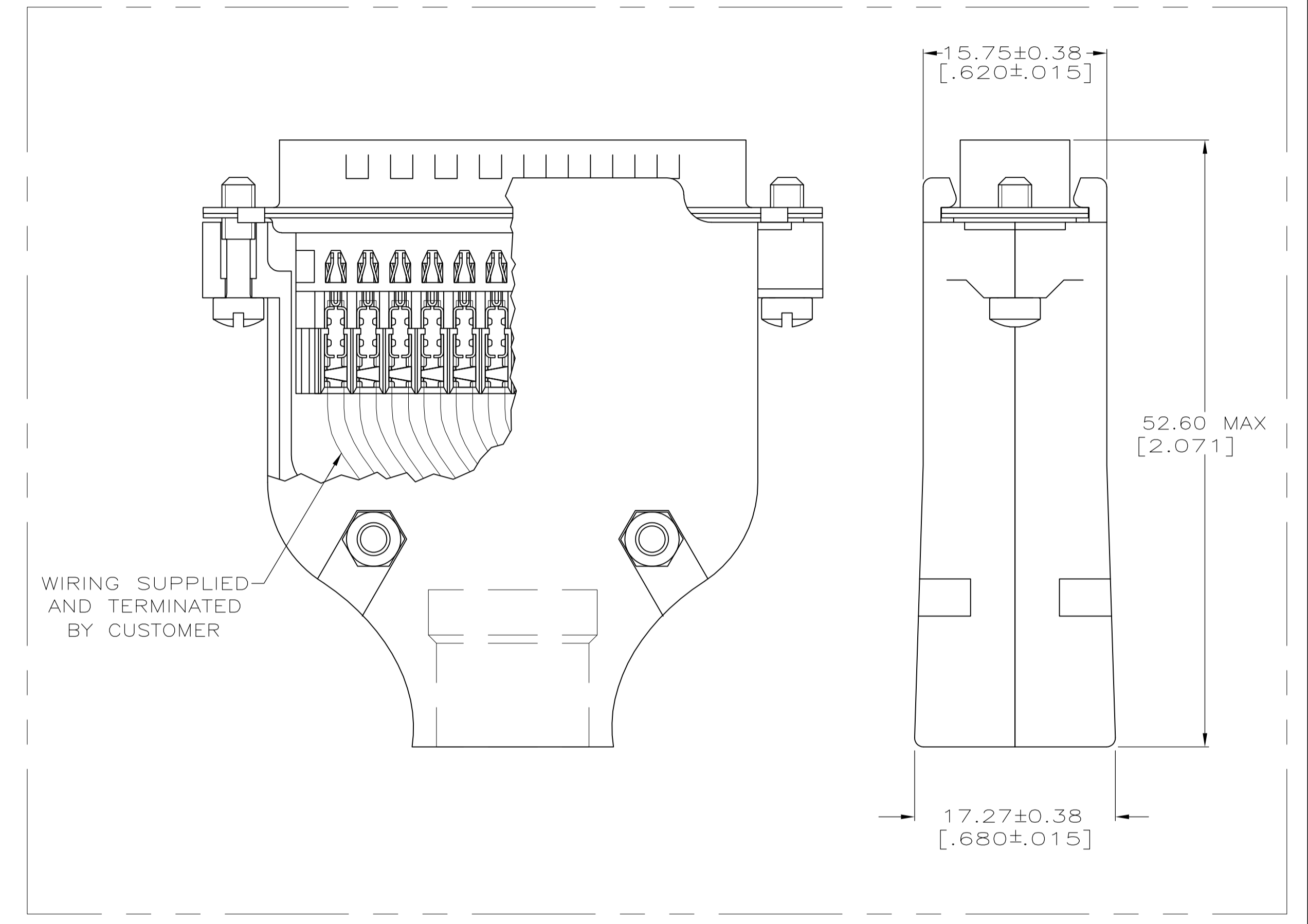
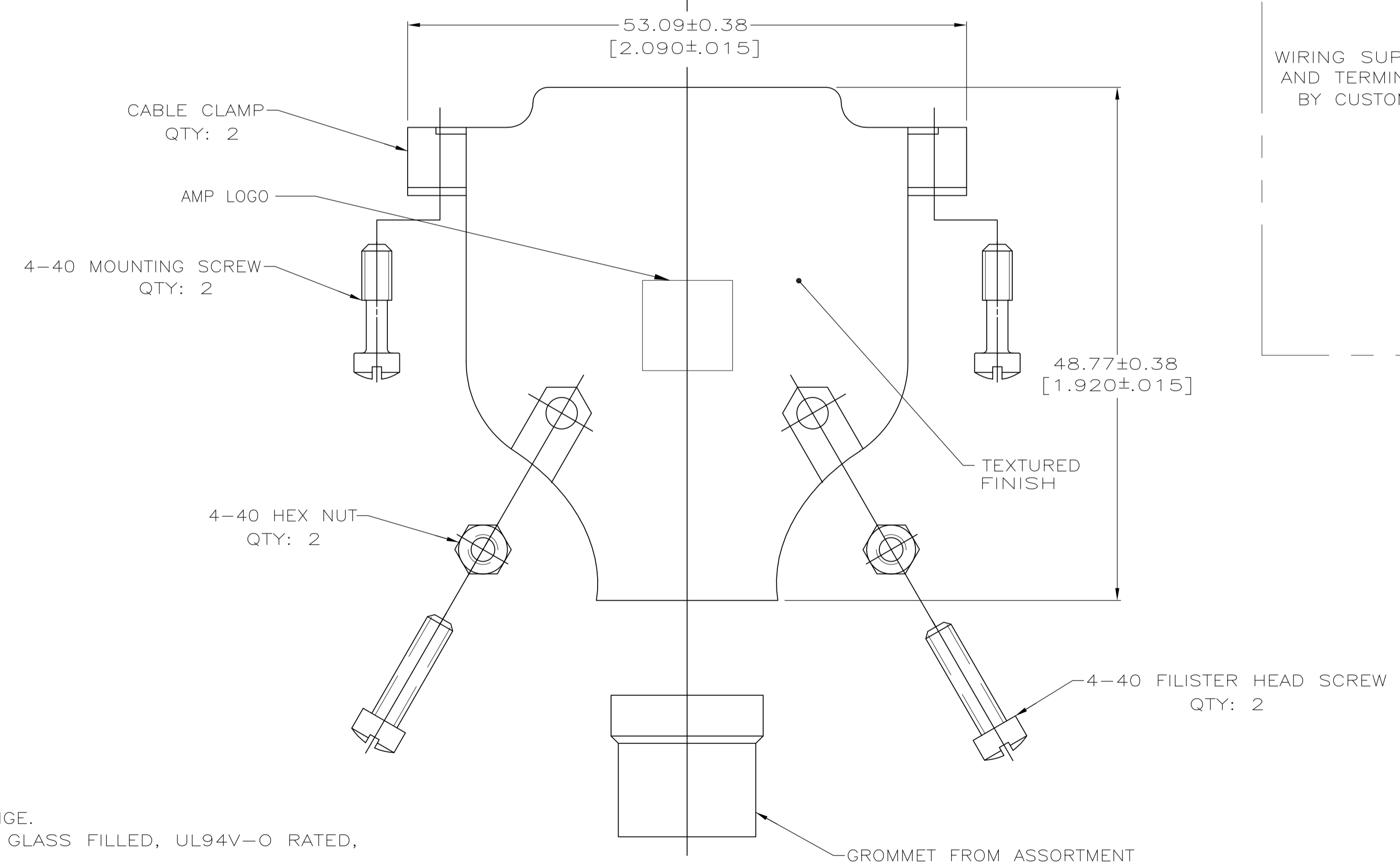
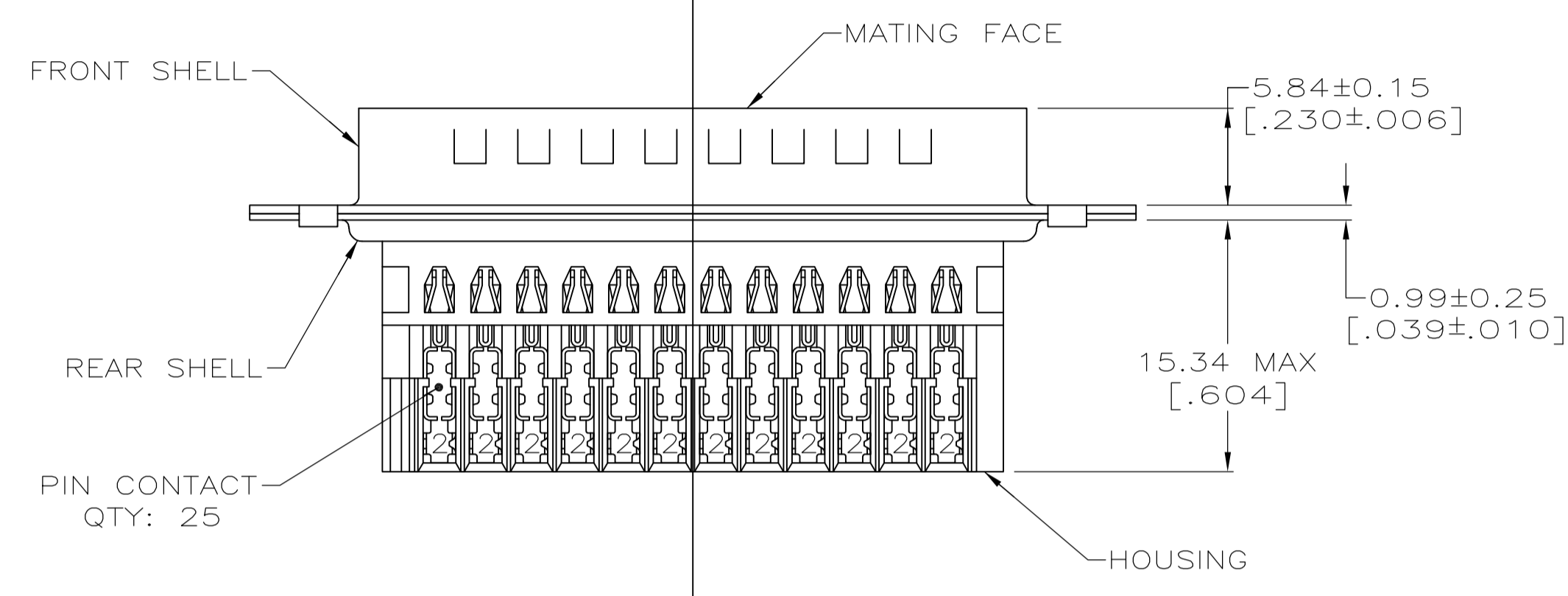
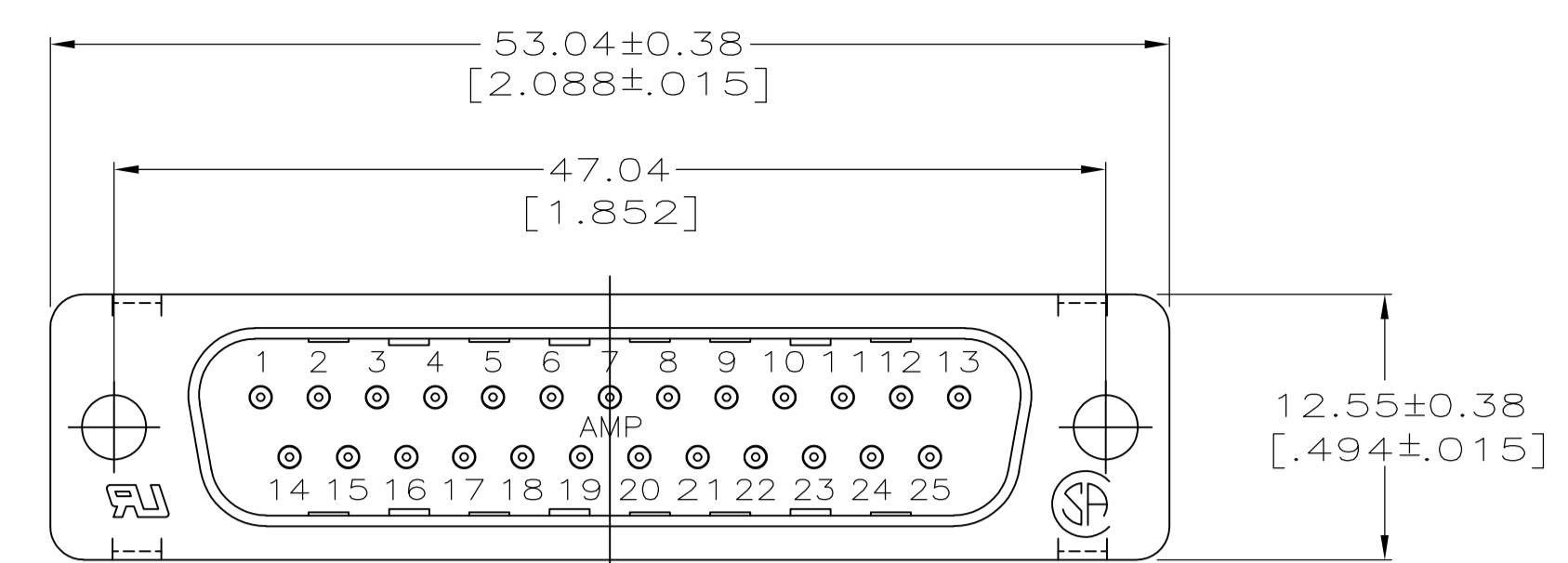
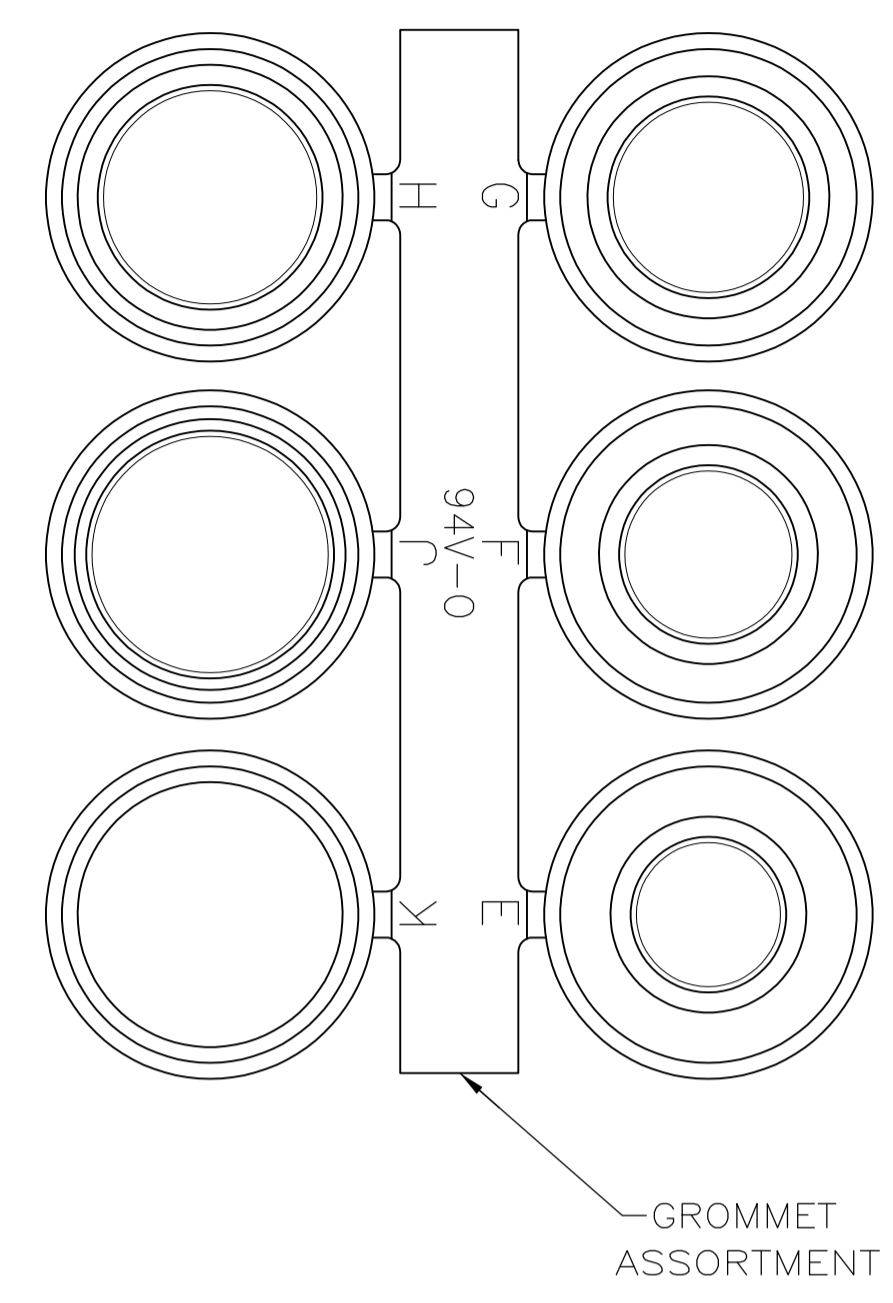


LOC		DIST		REVISIONS			
P	LTR	DESCRIPTION	DATE	DN	APVD		
A1		REVISED PER ECO-11-004835	11MAR11	RK	HMR		



ASSEMBLED VIEW

- 1. CONTACTS ACCEPT 22-26 AWG RANGE.
- 2. HOUSING: POLYESTER OR NYLON, GLASS FILLED, UL94V-0 RATED, COLOR BLACK.  
GROMMETS: PVC, UL94V-0 RATED, COLOR BLACK.  
CONTACTS: PHOSPHOR BRONZE.  
SHELLS: CARBON STEEL.  
CABLE CLAMPS: ZINC.  
SCREWS & NUTS: CARBON STEEL.
- 3. CONTACTS: GOLD FLASH FOR A LENGTH OF 3.81[.150] MIN FROM MATING END 2.54µm[.000100] MIN TIN ON OPPOSITE END FOR A LENGTH OF 6.60[.260] MIN, BOTH OVER 0.76µm[.000030] NICKEL ON ENTIRE CONTACT.  
SHELLS: 5.08µm[.000200] MIN TIN OVER 1.27µm[.000050] MIN COPPER.  
MOUNTING SCREWS & NUTS: 3.81µm[.000150] MIN ZINC, CLEAR CHROMATE COATED.  
FILISTER HEAD SCREWS: ZINC, CLEAR CHROMATE COATED.
- 4. CABLE CLAMPS: NICKEL OVER COPPER.

749810-9  
PART NUMBER

THIS DRAWING IS A CONTROLLED DOCUMENT.		DIN J.GERACE 22MAR06	TE Connectivity	
DIMENSIONS: INCHES		CIK C.ROHDE 22MAR06		
TOLERANCES UNLESS OTHERWISE SPECIFIED:		APVD M.WALMSLEY 22MAR06	NAME	
0. PLC ± -	1. PLC ± -	PRODUCT SPEC		
2. PLC ± 0.13 [.005]	3. PLC ± -	108-40011		
4. PLC ± -	ANGLES ± -	APPLICATION SPEC		
MATERIAL		114-40003	RESTRICTED TO	
FINISH		WEIGHT -	SIZE A1	CAGE CODE 00779
		DRAWING NO. 749810-9		SCALE 3:1
		CUSTOMER DRAWING		SHEET 1 OF 1
				REV A1